



USER MANUAL

Exclusive 4 channels camera



Please download WIFI products (No download required for non WIFI)

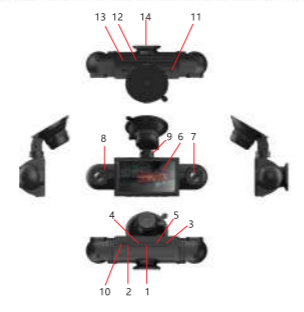
一、Product Specification

DDR	Built-in 64M
FLASH	8M SPI norflash
Display Screen	3.0inch IPS HD screen
LCD resolution	800X480 pixels
External port	MINI USB 5V/2A power adapter port Max support 64G Class10 TF card 2.5mm digital 720P rear view lens port
Speaker	Monophonic 15*10mm speaker
MIC	4016 Standard Omnidirectional Microphone
Features:	
Front camera	6-glass/F2.0aperture/170°wide angle
Inside camera (optional)	VGA 120°
GPS tracker	NO
AV OUT	NO
Rear camera	6M cable/2.5mm port
Photo	Support
Lens rotates	Adjust manually
WDR	Support
HDR	Support
Reversing visual	Support
Video format	AVI
Image format	JPG
Compression format	H.264
Battery	150mAh polymer lithium battery
Language	support multi-language
G-sensor	Support

Motion Detection	Support
Delay shutdown	Support
Loop recording	Support, Do not leak seconds
Sound record	Support
Fill light for night vision	Support (Open manually)
Parking monitoring	Support
Front camera resolution	1920x1080P
In-car camera resolution	HD1280x720
Camera resolution	Max support 3M

Working Environment	
Operating temperature	-40°C~70°C
Operating Humidity	15-65%RH
Storage temperature	-40°C~70°C

二、Key Features (picture for reference only, mainly in kind)



- Power button, short press to stop the screen
- Menu keys
- Confirm key OK key
- Flip up button, long press to turn on night vision light
- Flip down key
- In-car camera
- Bracket clamp
- Night vision lamp
- Reset key
- TF card slot
- Front camera
- Rear view camera (optional)

In video mode, long press [M] to enter video menu settings as follows:

Recorder Menu	
1 Resolution	1080P FHD/720P
2 Loop recording	Off/1minutes/2minutes/3minutes/5minutes
3 Exposure compensation	-3, -2, -1, 0, 1, 2, 3
4 Movement detection	on/off
5 Sound record	on/off
6 Time stamp	on/off
7 G-sensor	Off/2G/4G/8G
8 Parking monitor	on/off
9 Date/time	Adjustment Years/months/dates/hours/minutes/seconds
10 Automatic shut-down	Off/1minutes/2minutes
11 keypad tone	on/off
12 OSD language	Support multilingual

13 Light source frequency	50HZ/60HZ	Choose the Light source frequency
14 format	Confirm/cancel	format TF card
15 Screen saver	Off/3minutes/5minutes/10minutes	
16 Default setting	Confirm/cancel	
17 version	Machine software version number	

In photo mode, long press [M] to enter photo menu settings as follows:

1 Shooting method	Single shooting/2 seconds timer / 5 seconds timer / 10 seconds timer
2 Resolution	2M/3M/5M/8M/10M/12M
3 Continuous shooting	on/off
4 Picture quality	High quality/standard/economy
5 Aperture	Strong/standard/soft
6 White balance	Automatic/white/night/cloudy/fungsten lamp/fluorescent lamp
7 ISO	Automatic/100/200
8 Exposure compensation	-3, -2, -1, 0, 1, 2, 3
9 Time stamp	Off/Date

[OK] Press the power button to turn on and off the device, and briefly press to stop the screen.
 [M] For the menu, long press to view the file, long press to enter the photo interface, and press the confirm button to take a photo.
 [▲] Press and hold the scroll up button to turn on and off the night vision light.
 [▼] [▲] is the scroll down button, short press to switch the lens interface, OK is the confirmation key, enter the menu with the OK key.
 [OK] Confirm button, short press to confirm in the menu interface, short press to video record on/off in the video mode.
 Rear view lens (optional): In case of video recording, a pin plug of rear view lens insert AV in hole of device, there's a rear view image in top right of the screen, that means connected successfully, short press OK button to pause, long press [▼] button to switch front-rear view image. When hang up "R" gear, it will show full image of rear view.
 [OK] OSD language: Choose a language.

camera and choose front-inside view mode, it will automatically indicate full image of car reversing visual when you hang up "R" gear, but won't affect front-inside video record, also will automatically switch back front-inside view after cancel "R" gear.
 As for system update to support 3 channels camera to video record at the same time, please prevail in kind and we're sorry for no further notice.
 Reset key [RESET]: If the recorder crashes and accidental operation is not a normal fault, press [RESET] to shutdown the device, then press [OK] to reboot the device.

Installation Notes

- Please test the rear view camera firstly, if it works well then install (package without rear view lens can be ignored).
- Turn off the car engine.
- The TF card insert the recorder slot.
- The recorder via a bracket fixed to the front windshield of the car.
- Insert the car charger into the car cigarette lighter.
- Install the rear camera at the rear of the vehicle, and pay attention to the up and down direction. Wiring can be buried along the edge of the car roof laying. [Note] There are two ways to install the rear camera:
 A. Adsorbed on the glass above and behind the car, hands-on self-installation (Reversing image function can not be achieved, only real-time recording rear view).
 B. To find a professional installation staff installed in the license plate above the camera at the same time need to connect the power reversing lights (Reversing visual function can be achieved).
- Adjust the lens position to ensure the best viewing angle.
- Start the engine and check that the machine is operating properly.

will not be overwritten cycle.
 (note) Gravity Sensor (G-Sensor) sensitivity adjustment support may actually need to change setting in the setup menu according to their image.

FAQ

Machine appears "file error" message	Settings menu -> Restore factory settings and format the memory card, the general problem is TF card
The screen appears horizontal stripes interference	Please select the correct power supply frequency 50HZ(PAL)
How to properly turn on the 24-hour parking monitoring function?	While in normal driving, please do not open it, it easily lead to automatic shutdown or crash after parking is required to open configure the back line or mobile power plate

Night shading screen is not clear enough	Recorder shooting depends on the outside strong light source (such as headlights or car light)
The machine always reverts to the default date and time	Shutdown in the first case full of electricity, you can use car charger or mobile power supply to add power
what is the reason for video file leak seconds	(Turn off motion detection / Turn on the loop recording function) With a certain choice of their own genuine card C10 high-speed card
Why during recording, the machine automatically shut down suddenly	Please turn off the parking monitoring function first! Ambient temperature exceeds 70 °C, will cause automatic shutdown
[Note] Practice proof	Most of the problems sources from the memory card, a small part causes of power cord

The information provided in this manual is for reference only. Please prevail in kind (some special features depend on different models). All rights reserved.



记录仪产品说明书

独家四路摄像头



WIFI产品请下载 (非WIFI无需下载)

一、产品规格说明

DDR	内置64M
FLASH	8M SPI norflash
显示屏	3.0英寸IPS液晶屏
显示分辨率	800X480 像素
外置端口	MINI USB 5V/2A电源接口 最大支持64G Class10 TF卡 2.5mm三节数字后录摄像头接口
扬声器	8欧1瓦单声道15*10mm扬声器
MIC	4015标准全指向麦克风
功能特性:	
前置摄像头	6玻/F2.0光圈/170°广角
车内摄像头(可选)	VGA 120°
GPS轨迹	不支持
AV OUT	不支持
后视镜摄像头	6米线长/2.5mm接口
拍照	支持
镜头旋转	支持手动调整
动态范围调节	支持
HDR	支持
倒车全屏	支持
视频格式	AVI
图片格式	JPG
存储压缩方式	H.264
电池类型	150mAh聚合物锂电池
语言支持	支持多国语言
重力感应	支持

移动检测	支持
延时关机	支持
循环录像	支持,不丢秒
录音功能	支持
夜视补光灯	支持(手动开启)
停车监控	支持
前置摄像头画质	1920x1080P
车内摄像头画质	HD1280x720
拍照分辨率	最高支持3M
工作环境:	
操作温度	-40°C~70°C
操作湿度	15-65%RH
存储温度	-40°C~70°C

二、按键功能介绍(图片仅供参考,以实物为主)



- 电源键, 短按息屏
- 菜单键
- 确认键 OK键
- 上翻键, 长按打开夜视灯
- 下翻键
- 显示屏
- 车内摄像头
- 夜视灯
- 支架卡口
- 复位键
- 电源接口
- TF卡槽
- 后视镜摄像头 (可选)
- 车前摄像头

录像时长按 [M] 进入菜单设置, 具体项目如下:

记录仪录像菜单	
1 分辨率	1080P FHD/720P
2 循环录制	关/1分钟/2分钟/3分钟/5分钟
3 曝光补偿	-3, -2, -1, 0, 1, 2, 3
4 移动检测	开/关
5 录音音频	开/关
6 日期时间	开/关
7 重力感应	关/2G/4G/8G
8 停车监控	关/开
9 日期时间	调整年/月/日/时/分/秒
10 自动关机	关/1分钟/3分钟
11 按键声音	关/开
12 语言设置	简体中文等多国语言

13 光源频率	50HZ/60HZ	光源频率选择
14 格式化	确认/取消	格式化TF卡
15 屏幕保护	关/3分钟/5分钟/10分钟	
16 默认设置	确认/取消	
17 版本	机器软件版本号	

拍照模式下长按 [M] 进入拍照菜单设置, 具体项目如下:

1 拍摄方式	单拍/2秒定时/5秒定时/10秒定时
2 分辨率	2M/3M/5M/8M/10M/12M
3 连拍	开/关
4 图像质量	优质/标准/经济
5 锐度	强烈/标准/柔和
6 白平衡	自动/日光/阴天/钨丝灯/闪光灯
7 ISO	自动/100/200
8 曝光补偿	-3, -2, -1, 0, 1, 2, 3
9 日期标签	关/日期时间

[OK] 为开关机电源键, 短按息屏。
 [M] 为菜单, 长按查看文件, 长按进入拍照界面按确认拍照。
 [▲] 为上翻键, 长按打开夜视灯。
 [▼] 为下翻键, 短按切换镜头界面。
 OK为确认键, 进入菜单OK键。
 [OK] 为确认键, 菜单界面短按为确认, 录像界面短按为录像开始/停止切换功能。
 后视镜摄像头介绍 (若有此配置): 在录像模式下, 后视镜摄像头4号镜头插入AVIN孔, 屏幕会有一小块区域显示为后视镜画面, 表示已识别后视镜摄像头, 短按 [OK] 暂停录像后, 长按 [▼] 可以在车前摄像头、后视镜

镜头两种显示画面之间切换, 当使用档档时, 自动全屏显示后视镜摄像头画面。
 复位键 [RESET]: 如记录仪发生死机及意外操作不正常故障, 短按 [RESET] 可进入POWER OFF状态, 再短按 [OK] 重启机器。
安装说明
 1. 请先测试好前置摄像头正后再进行安装 (若有后视镜摄像头, 没有的可忽略)。
 2. 关闭汽车发动机。
 3. 将TF卡插入记录仪卡槽中。
 4. 将记录仪通过支架固定于汽车前挡风玻璃上。
 5. 将车充电器插入汽车点烟器中。
 6. 将后置摄像头安装在车后视镜后, 安装时注意上下方向, 布线可沿车顶边缘处埋线铺设。
 7. 调整摄像头位置, 确保最佳拍摄视距。
 8. 找专业安装人员安装于车镜架上方, 同时摄像头需要连接倒车灯电源 (可实现倒车可视功能)。
 9. 调整摄像头位置, 确保最佳拍摄视距。
 10. 启动引擎, 检查机器是否正常运行。

功能介绍

- 使用自动记录功能: 启动汽车发动机, 记录仪自动启动并开启记录功能。
 关闭汽车发动机, 记录仪自动保存记录内容并关机, 记录的视频分段保存于TF卡上, 当TF卡存满后, 记录仪将优先覆盖最早录制的影像。
 【注意】a. 记录的时间段可自行在菜单中设置, 范围为关闭和1/2/3分钟4档。
 b. 记录仪录像分别保存于TF卡内DCIMA与DCIM6文件夹中 (若有车内摄像头或者后视镜摄像头)。
 2. 使用拍照功能: 在开机状态下, 短按 [OK] 键停止录像, 短按 [M] 键进入拍照模式, 短按OK键即可拍照, 如需切换回录像模式, 短按几次 [M] 键即可。
 3. 使用移动侦测功能 (运动检测):

机器进入睡眠状态, 录像3秒后系统停止录像, 如需退出移动侦测模式, 菜单界面关闭运动检测功能。
 4. 重力感应功能: 本机内置重力感应器(G-sensor), 如果发生严重车辆碰撞, 记录仪会锁定事故发生时的5秒和前后10秒的影像资料, 同时显示屏上方显示锁定的图标, 被锁定的影像会另存为一个特殊文件, 这个文件不会被覆盖删除。
 【提示】重力感应器 (G-sensor) 支持灵敏度调节, 可根据实际需要设置在菜单中自行更改设置。
 5. 一键锁定功能: 本机具备一键锁定功能, 可将需要保留的影像锁定而不会被覆盖删除。在录像模式下, 短按 [M] 键记录仪会将当前拍摄的影像视频锁定。
 6. 日期及时间设定: 录像时长按 [M] 键进入菜单设置, 找到日期/时间菜单, 短按OK键进入, 设置正确后再按 [OK] 键保存, 最后短按 [M] 键退出菜单设置。
 【注意】为了有效记录和取证, 在使用本机前请立即设置正确的日期和时间。
 7. 文件回放: 回放模式下按 [OK] 键回放, 如需退出回放模式, 再次短按 [M] 键。
 8. 倒车可视功能 (后视镜摄像头为可选配件): 首先, 必须车后连接好记录仪, 拉线摄像头, 上黑红线连接倒车灯, 插车充电器会自动启动录像状态, 在录像模式下切换R挡, 屏幕自动切换到后视镜, 显示倒车影像。结束倒车后可视机器自动返回录像模式。
 提醒: 请先测试好后视镜摄像头正后再进行安装。
 9. 停车监控模式 (实现无人值守监控录像): 实现这个功能必须在本机连接电源的情况下, 在主菜单中打开运动检测和停车监控功能, 在待机状态下车辆检测到震动或者有人身体移动时, 记录仪可根据重力感应模块 G-SENSOR来感应, 自动启动机器并自动启动录像30秒, 且自动回存录像文

常见问题

车子出现 "档案错误" 的提示	设置菜单->恢复出厂设置格式化内存卡, 一般是TF卡的问题
画面出现横条干扰	请选择正确的供电频率50HZ(PAL)
如何正确开启24小时停车监控功能	正常行驶时, 请不要开启, 容易造成自动关机或死机; 停车后才需要开启, 请配带稳压板或移动电源

夜间拍摄的画面不够清晰	记录仪拍摄依赖于外界较强的光源 (比如路灯车灯), 行业亦是如此
机器总是恢复到默认日期和时间	关机的情况下充满电, 可以用车充电器或者移动电源补充电量
录像文件出现丢秒, 是什么原因	请关闭移动侦测功能并开启循环录像功能 (自行配卡的一定适用正品C10高速卡)
为何录制过程中, 机器一下子自动关机	请先关闭停车监控功能/使用环境的温度超过70°C也会造成自动关机
【注意】实践证明	大部分问题跟存储卡有关, 小部分跟电源线有关

本车记录仪说明书所提供信息仅供参考, 用户在使用过程中请以实物样机为准。若因使用本产品而导致罚款或交通意外, 本公司不承担任何责任。